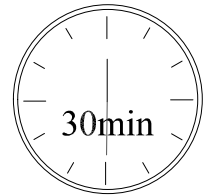
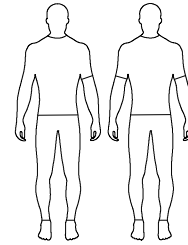
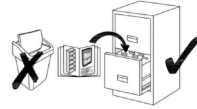
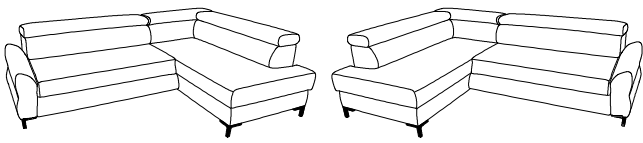
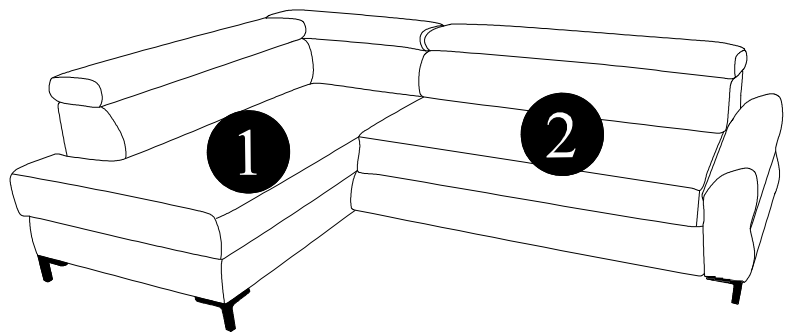


# REMO II

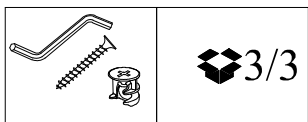
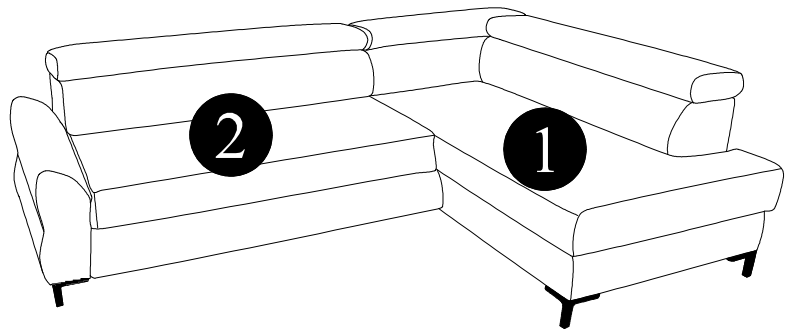


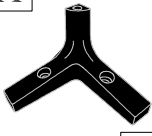
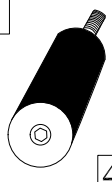


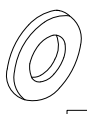
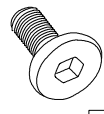
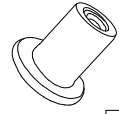
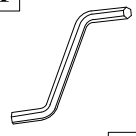
Teil	L	W	H	Pcs	Colli
1	91	180	62	1x	1/3
2	91	158	62	1x	2/3

**L**

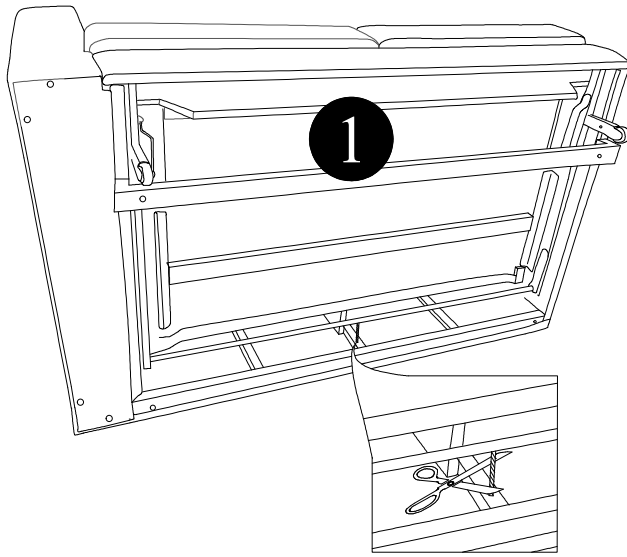


**R**

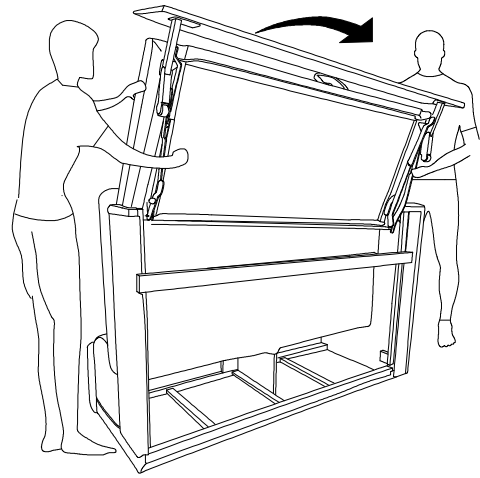




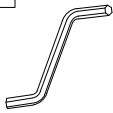
<b>A</b>	<b>B</b>	<b>C</b>	<b>D</b>	<b>E</b>	<b>F</b>	<b>G</b>	<b>H</b>
							
4x	4x	2x	8x	8x	2x	2x	2x
H-100	H-100	H-50	3,5X35	M6	M6x15	M6x15	

1

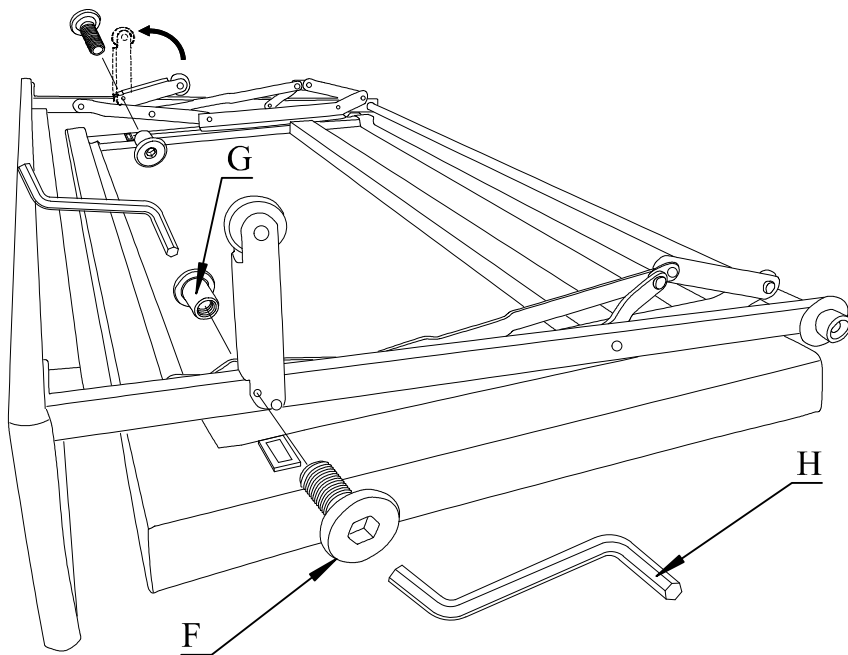


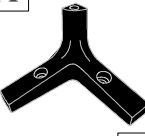


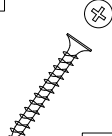
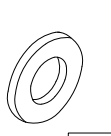
2



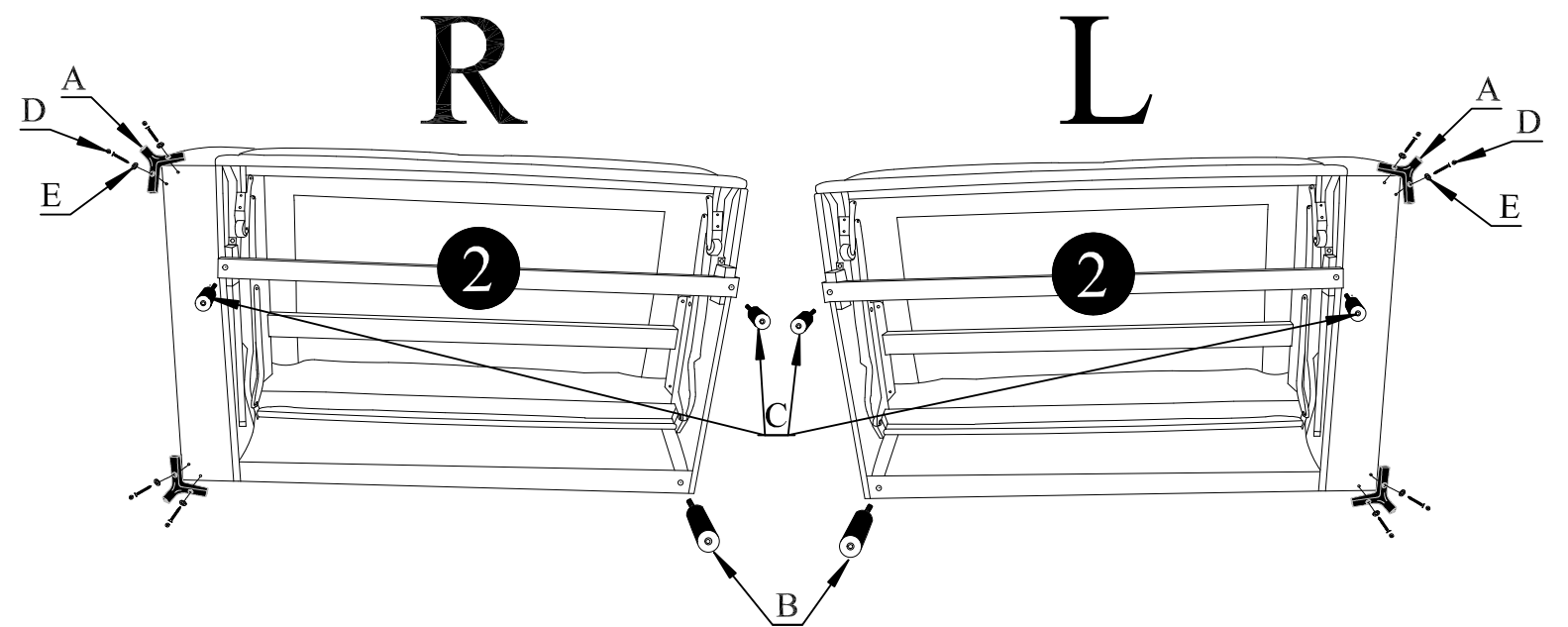
<b>F</b>  2x M6 X 15	<b>G</b>  2x M6 X 15	<b>H</b>  2x
---	--	---

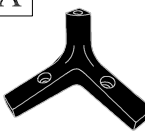
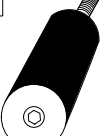
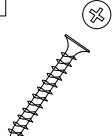
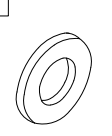
3



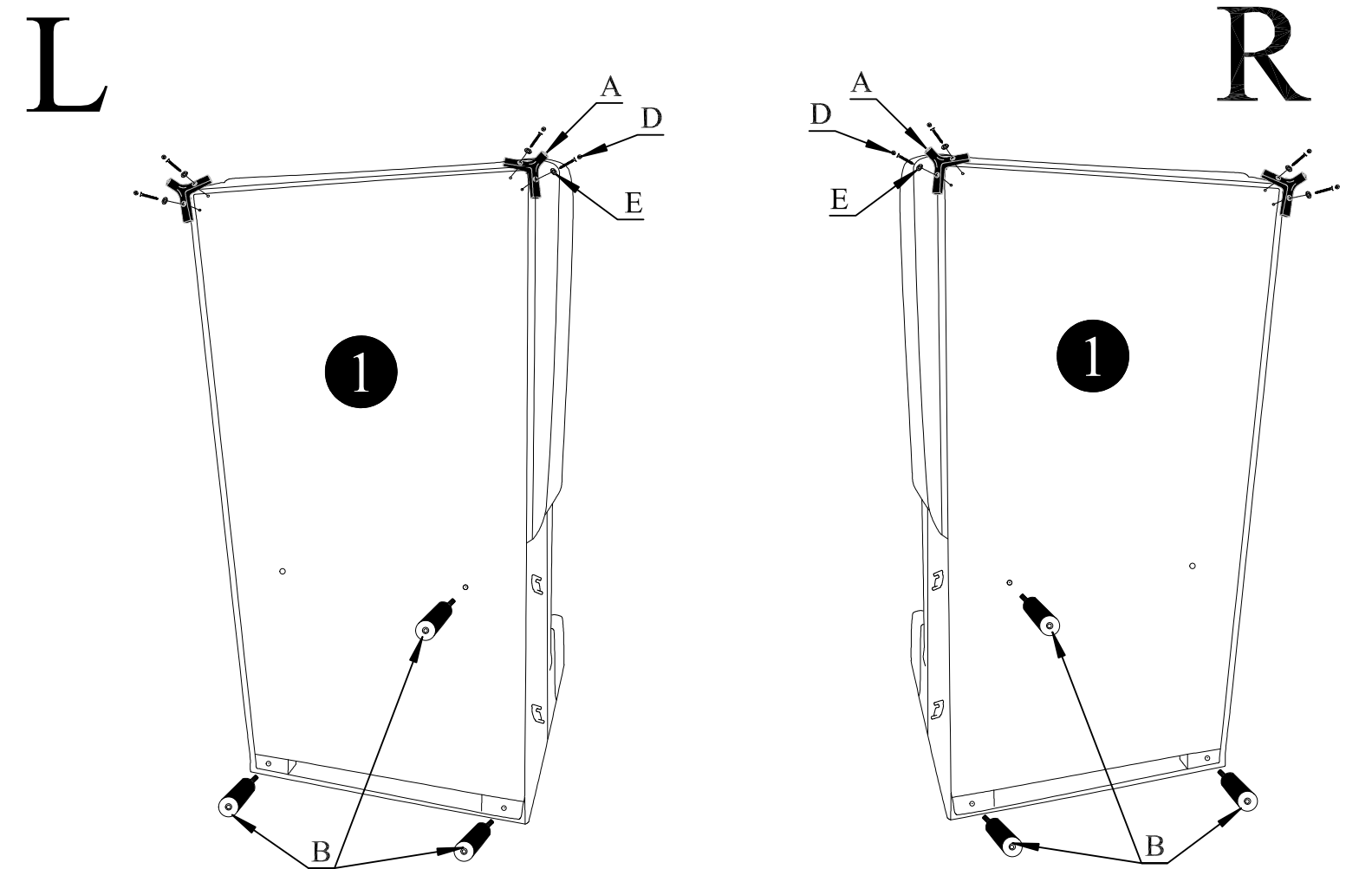
<b>A</b> 	<b>B</b> 	<b>C</b> 	<b>D</b> 	<b>E</b> 
2x	1x	2x	4x	4x
H-100	H-100	H-50	3,5X35	M6

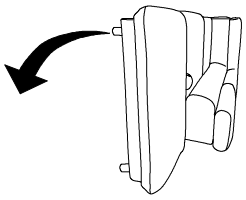
4



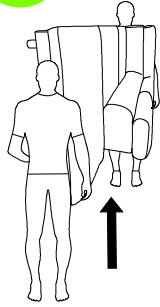
<b>A</b> 	<b>B</b> 	<b>D</b> 	<b>E</b> 
2x	3x	4x	4x
H-100	H-100	3,5X35	M6

5

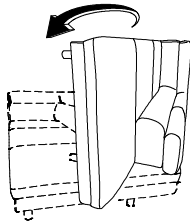




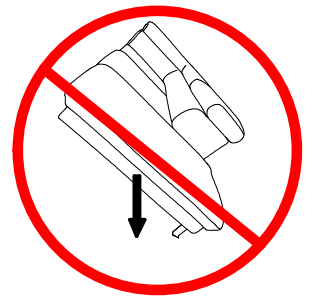
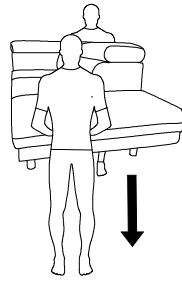
1



2



3



6

